

URM

RELAY MODULE

SAFETY MESSAGE

People's lives depend on your safe installation, test, operation, and maintenance of our products. Read, understand, and follow all safety messages. Refer to "Safety Messages for Equipment Used in Fire-Protective Signaling Systems" and any other documentation shipped with equipment before performing any system related duty.

System wiring and device installation must be in accordance with all applicable national codes (including NFPA 70 National Electric Code), all local codes, and the authority having jurisdiction.

I. GENERAL.

The URM is a polarized relay module that operates using 12 or 24 VDC. It is available in one or two circuit models. A visual indication of the relay being energized is provided by a green LED being illuminated.

URM-1: 1 circuit relay module
URM-2: 2 circuit relay module

Input:	12/24VDC
Current Draw (URM-1):	0.049A
Current Draw (URM-2):	0.069A
Contact Ratings (0.6 PF):	8A@30VDC

II. INSTALLATION.

NOTE

The URM/URMT modules are to be used with a UL864 Listed Fire Protective Signaling System fire alarm control panel and/or NAC Expander. Only power-limited NAC outputs of these units are to be connected to the relay contacts of the URM/URMT.

A. Mounting

The URM is intended to be part of a supervised Fire-Protective Signaling System. For this intended use, units MUST be installed within a Listed enclosure and the conductors that interconnect the URM to the fire alarm control unit must be installed in not more than 20 feet of conduit or equivalent protection from mechanical injury.

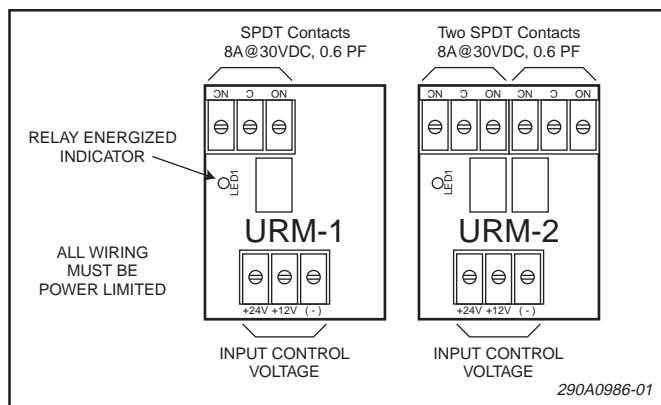


Figure 1. Available URM configurations.

Cabinets are available in the following sizes:

Relay Enclosure (CPG #MR-1)	2" x 2" x 4"
ULFB1 (CPG #ULFB1)	12" x 12" x 4"

CAUTION

Positive mounting is dependent on the use of the supplied sheet metal screws. Adhesive pads are to assist in positioning the snap-trac in the user-supplied Listed Control Unit cabinet. Ensure that snap-trac and mounting surface are clean and dry before affixing adhesive pads. If necessary, clean surfaces with an isopropyl alcohol pad.

- Using the snap-trac as a template, drill two 5/32 inch diameter holes in the Listed Control Unit cabinet.
- Peel the paper backing from the adhesive pad attached to the snap-trac. Position the snap-trac and press it firmly in place.
- Secure the snap-trac in position with the #10 sheet metal screws.
- Snap the URM into position on the snap-trac.

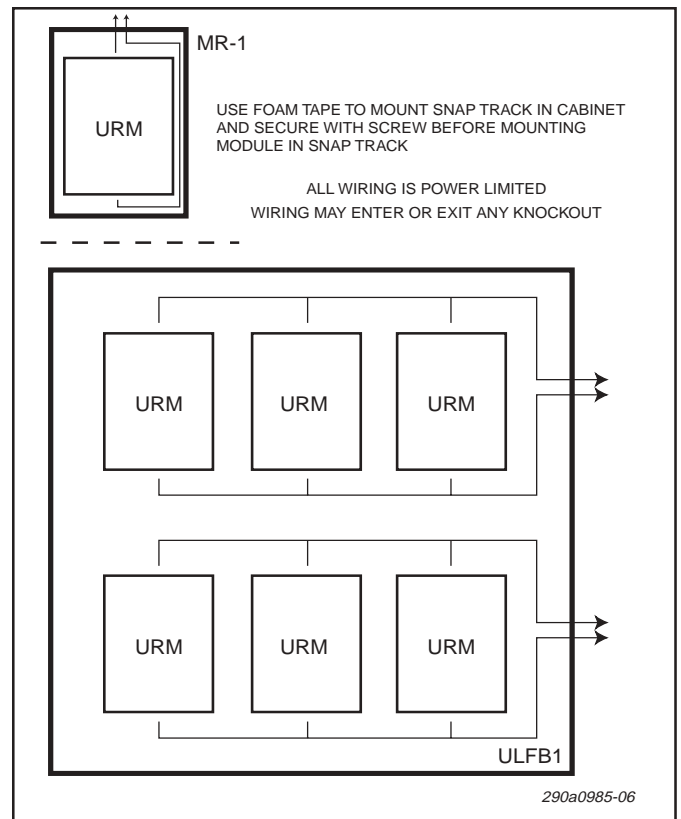


Figure 2. Mounting in ULFB1 or MR-1 enclosure.

